

Thermoregulator
-2/0°C - 2M - full door

CABINETS MASS/GAB

PNC	MODEL	REF	PAGE	DESCRIPTION	NOTE/ BRAND
110564	ZE4142GR	a	3,4,5	2-GL.DR REF 1430L +2+10°,DIG,S/S(R290)	Zanussi
110565	ZEX142GR	b	3,4,5	2-GL.DOOR REFR 1430L 2/10°C, DIG(R290)	Zanussi
110821	ZE4142GR	i	3,4,5	2-GLASS DOOR REFR 1430L +2+10°C,DIGITAL,S/S, Mass-R290	Zanussi
110822	ZEX142GR	l	3,4,5	2-GLASS DOOR REFR. 1430L +2+10°C,DIGITAL, Gab-R290	Zanussi
110841	ZE4142GR	r	3,4,5	2-GLASS DOOR REFRIG 1430L +2+10°C, DIGITAL, S/S-R290	Zanussi
110851	ZEX142GR	q	3,4,5	2-GLASS DOOR REFRIGERATOR 1430L +2+10°C,DIGITAL, R290	Zanussi
110969	ZE4142GR	r	3,4,5	2-GLASS DOOR REFRIGERATOR 1430L +2+10°C, DIGITAL, S/S-R290	Zanussi
110970	ZEX142GR	q	3,4,5	2-GLASS DOOR REFRIGERATOR 1430L +2+10°C, DIGITAL, A304 - R290	Zanussi
725232	REX142GRM	v	3,4,5	2-GLASS DOOR REF. 1430L +2/+10°C DIG. A304 - R290 - MARINE 50HZ	EPR
725384	REX142GR	k	3,4,5	2-GLASS DOOR REFRIGERATOR 1430L +2+10°C, DIGITAL, A304-R290	EPR
725386	RE4142GR	j	3,4,5	2-GLASS DOOR REFRIGERATOR 1430L +2+10°C, DIGITAL, S/S-R290	EPR
727777	RE4142GR	c	3,4,5	2-GL.DR REF 1430L +2+10°,DIG,S/S(R290)	EPR
727778	REX142GR	d	3,4,5	2-GL.DOOR REFR 1430L 2/10°C, DIG(R290)	EPR
727883	RE4142GR	m	3,4,5	2-GLASS DOOR REFRIG 1430L +2+10°C, DIG. S/S-R290	EPR
727884	REX142GR	n	3,4,5	2-GLASS DOOR REFRIG 1430L +2+10°C, DIG.-R290	EPR
727954	REX142GR	k	3,4,5	2-GLASS DOOR REFRIG 1430L +2+10°C, DIGITAL-R290	EPR
727956	RE4142GR	j	3,4,5	2-GLASS DOOR REFRIG 1430L +2+10°C, DIGITAL, S/S-R290	EPR
729450	AR4142GR	e	3,4,5	2-GL.DR REF 1430L +2+10°,DIG,S/S(R290)	Alpen
729451	ARX4142GR	f	3,4,5	2-GL.DOOR REFR 1430L 2/10°C, DIG(R290)	Alpen
729452	N4142GR	g	3,4,5	2-GL.DR REF 1430L +2+10°,DIG,S/S(R290)	To brand

Note: per la corretta identificazione dei componenti, attenersi esclusivamente alle pagine indicate e alla lettera di riferimento.

Note: for the correct identification of the components, follow the indicated pages and the reference letter.

New T.B. VTX2022_04 regarding the new evaporator fan

	Index	Indice
Pag. 3	Cabinet and door	Armadio e porta
4	Cooling unit assembly	Gruppo refrigerante
5	Control panel	Pannello comandi
6-9	Spare parts list	Lista ricambi

Rev.7

Thermoregulator
 -2/0°C - 2M - full door

CABINETS MASS/GAB

PNC	MODEL	REF	PAGE	DESCRIPTION	NOTE/ BRAND
729453	NX142GR	h	3,4,5	2-GL.DOOR REFR 1430L 2/10°C, DIG(R290)	To brand
729490	AR4142GR	o	3,4,5	2-GLASS DOOR REFRIGERATOR 1430L +2°+10°C,DIGITAL, S/S-R290	Alpen
729491	ARX4142GR	p	3,4,5	2-GLASS DOOR REFRIGERATOR 1430L +2°+10°C,DIGITAL-R290	Alpen
729501	ARX4142GR	s	3,4,5	2-GLASS DOOR REFRIG 1430L +2+10°C, DIGITAL-R290	Alpen
729503	AR4142GR	t	3,4,5	2-GLASS DOOR REFRIG 1430L +2+10°C, DIGITAL S/S-R290	Alpen
729664	ARX4142GR	s	3,4,5	2-GLASS DOOR REFRIGERATOR 1430L +2+10°C, DIGITAL, A304 - R290	Alpen
729666	AR4142GR	t	3,4,5	2-GLASS DOOR REFRIGERATOR 1430L +2+10°C, DIGITAL S/S - R290	Alpen
190EAZ	ZEX142GR	u	3,4,5	2-GLASS DOOR REFRIGERATOR 1430L +2+10°C,DIGITAL, R290	Zanussi

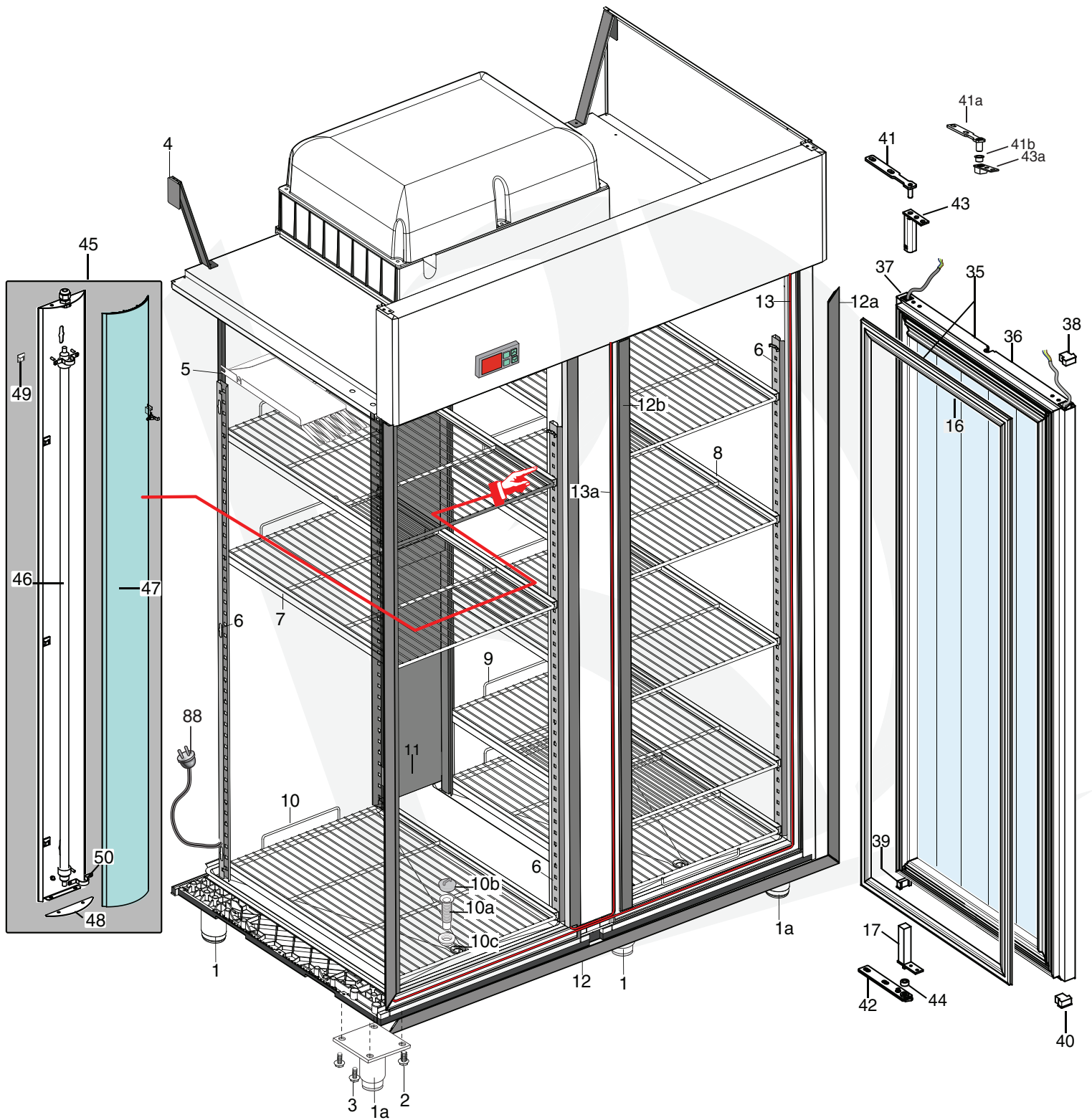
Note: per la corretta identificazione dei componenti, attenersi esclusivamente alle pagine indicate e alla lettera di riferimento.

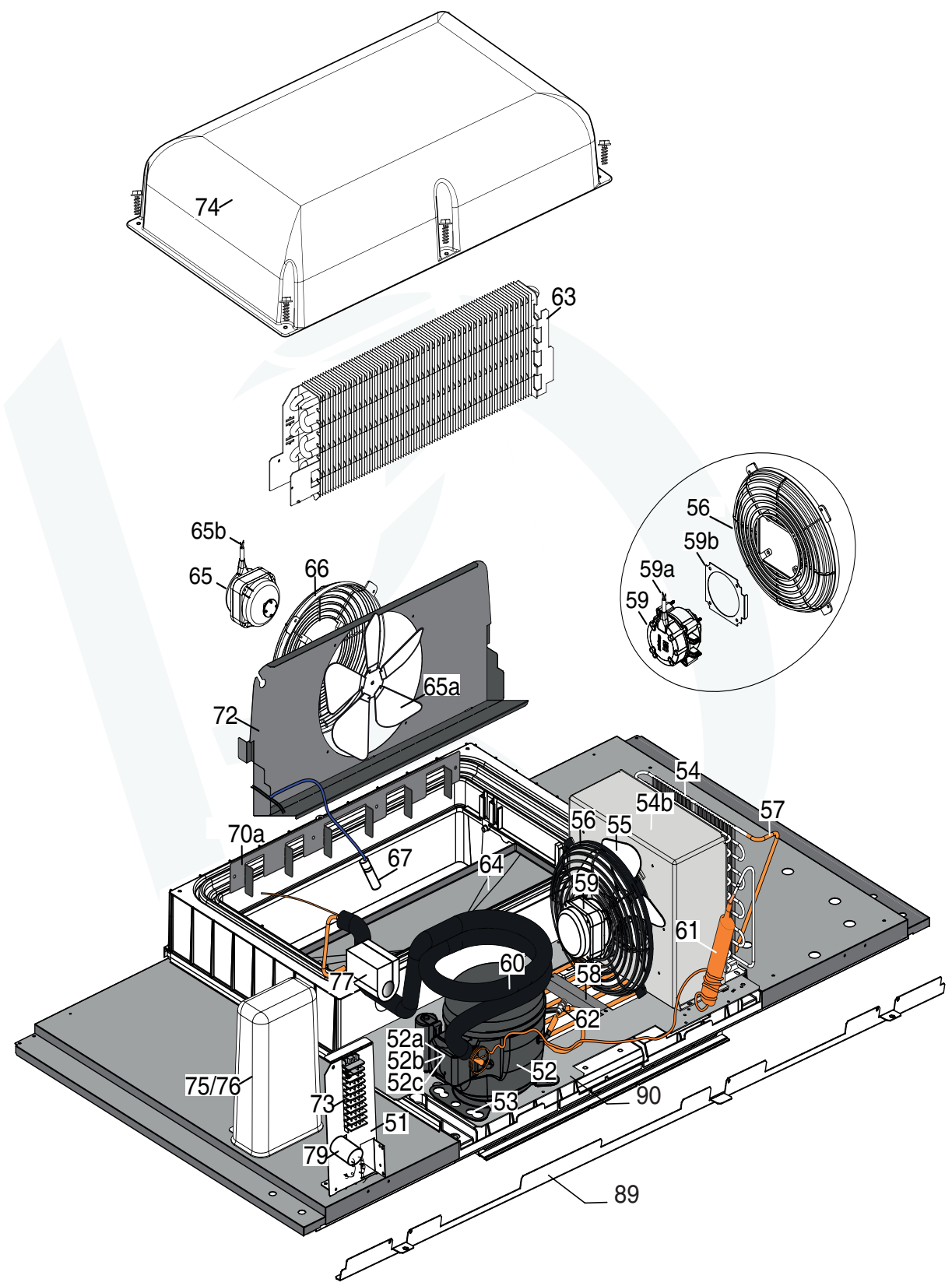
Note: for the correct identification of the components, follow the indicated pages and the reference letter.

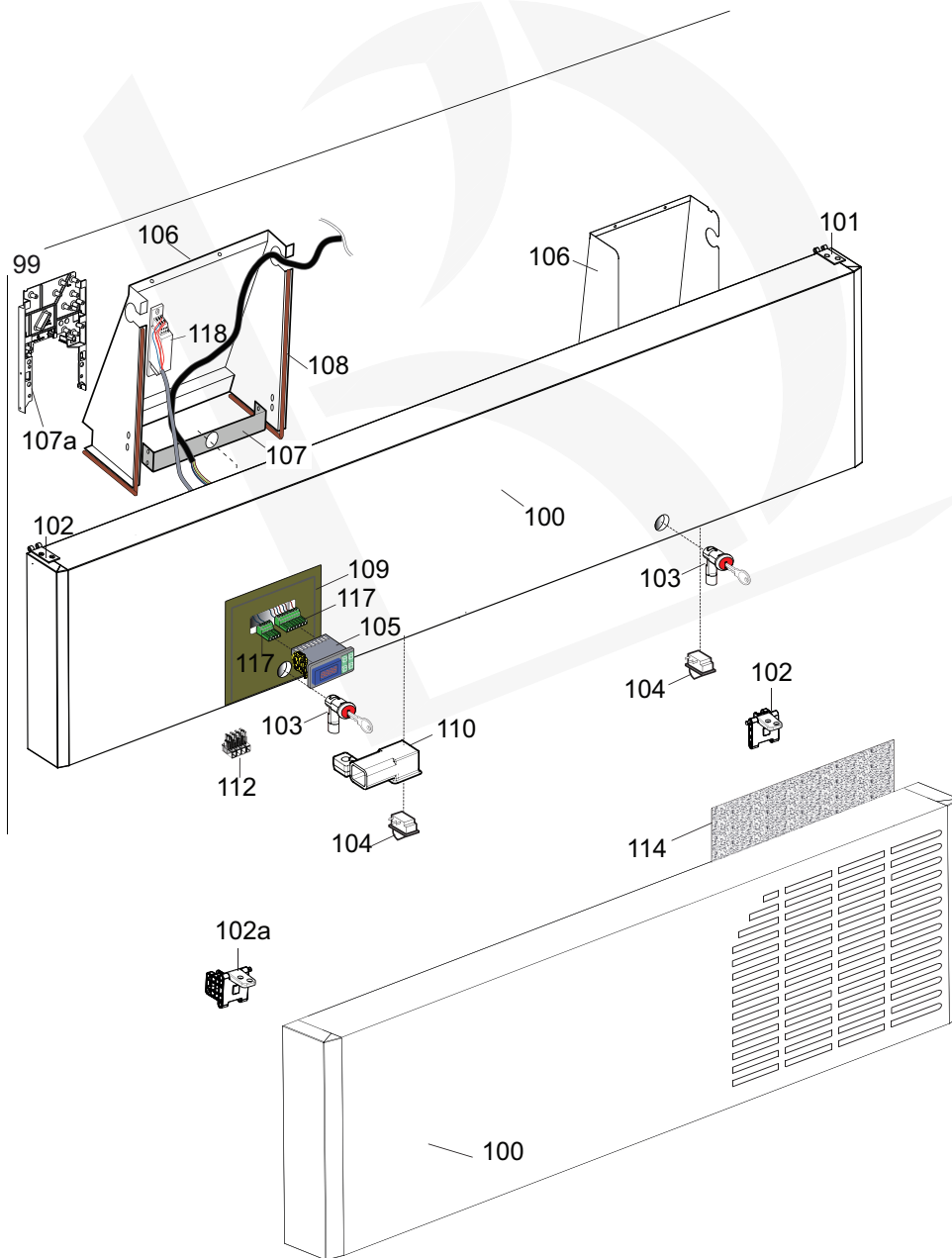
New T.B. VTX2022_04 regarding the new evaporator fan

	Index	Indice
Pag. 3	Cabinet and door	Armadio e porta
4	Cooling unit assembly	Gruppo refrigerante
5	Control panel	Pannello comandi
6-9	Spare parts list	Lista ricambi

Rev.7







Pos	Fact .Code	SPC	Descrizione	Description	Ref. - Note
1	541R05001	093243	Piedino	Foot	
1	518R03900	094098	Piedino MARINE	Foot MARINE	v
1a	518R02600	093244	Piedino anteriore porta vetro	Back foot glass door	
2	217555204	093245	Vite per plastica per piedino	Screw (use by fix foot)	
3	518708601	093246	Vite M8x20 per fiss. staffa sup/inf	Screw M8X20 (use by fix bracket)	
4	502R17500	093394	Staffa supporto fianchi	Side support	
5	875R37501		Assieme carter interno	Internal protection assembly	
6	501R38201	093249	Cremagliera anteriore/posteriore	Front/back Rack	
7	501R47900	093250	Guida Sx	Left support	
7	501R63900	095061	Guida Sx MARINE	Left support MARINE	v
8	501R48100	093251	Guida Dx	Right support	
8	501R64000	095062	Guida Dx MARINE	Right support MARINE	v
9	514R10600	093252	Griglia 2/1 rilsan	Grid 2/1rilsan	
10	514R12200	093253	Griglia di fondo rilsan	Bottom grid rilsan	
10a	544701300	081823	Drain pipe	Piletta di scarico	
10b	545733700	085535	Drain pipe plug	Tappo per piletta	
10c	544701400	081797	Drain pipe nut	Controdado per piletta	
11	501R62100	093490	Supporto centrale cremagliere	Rack support	
12	832R09202	093545	Cornice orizzontale	Horizontal frame	
12a	832R09101	093255	Cornice verticale	Vertical frame	
12b	832R09401	093399	Cornice verticale montante	Vertical frame central support	
13	*	*	Cavo riscaldante cornice	Heating cable frame	
13a	*	*	Cavo riscaldante cornice	Heating cable frame	
16	548R06802	093257	Guarnizione porta pv/pc	Gasket door (gl/fl)	
16	548R08000	094152	Guarnizione porta pv LED	Gasket door gl LED	k,j,q,r,s,t,u,v
17	835704001	082219	Cerniera porta	Hinge door	
35	880R57001	093736	Ass. porta vetro completa	Glass door assembled	
35	883R01401	0TTMUK	Ass. porta vetro completa	Glass door assembled	k,j,q,r,s,t,u,v
36	879R15600	093274	Porta vetro tn	Glass door TN	
36	879R36600	096173	Porta vetro tn	Glass door TN	k,j,q,r,s,t,u,v
37	546R22400	093535	Tappo sup. dx pv	Upper right plug door GL	
38	546R22300	093536	Tappo sup. sx pv	Upper left plug door GL	
39	546R22500	093537	tappo inf. dx pv	Lower right plug door GL	
40	546R22200	093538	Tappo inf. sx pv	Lower left plug door GL	
41	505R12700	093349	Staffa superiore pv	Upper hinge GL	
41a	501R21900	096180	Staffa superiore pv LED	Upper hinge GL LED	k,j,q,r,s,t,u,v
41b	546R35300	096182	Boccola GFM-16-18-16	Bush GFM-16-18-16	k,j,q,r,s,t,u,v
42	833R21900	093301	Ass. staffa inf. (reversibile) pv	Lower bracket (reversible)	
43	835R28100	093320	Ass cerniera sup pv	Upper hinge GL	
43a	505R22000	096181	Ass cerniera sup pv LED	Upper hinge GL LED	k,j,q,r,s,t,u,v
44	546R23100	093517	Boccola per cerniera PV	Hinge bush GL	
45	835R26801	094484	Ass. lampada completo	Light support assembly	Not for k,j,q,r, s,t,u,v
46	661R01000	093350	Lampada 28W	Neon 28W	Not for k,j,q,r, s,t,u,v
47	546R22600	093258	Frontale lampada	Protection light	Not for k,j,q,r, s,t,u,v
48	501R49500	093351	Tappo chiusura luce	Plug of clousure	Not for k,j,q,r, s,t,u,v
49	546R23200	093352	Ferma cavo	Wiring stopper	Not for k,j,q,r, s,t,u,v
50	501R50200	093321	Fermo lampada	Stopper light	i,j,k,l,m,n, o,p,q,r,s,t

BT - Gab Mass

Pos	Fact .Code	SPC	Descrizione	Description	Ref. - Note
51	502R24300	*	Supporto impianto elettrico	Electrical wiring support	
52	684R05900	093426	Compressore (EMT6152U) 230/50 hz	Compressor (EMT6152U) 230/50 hz	
52a	*	*	Relè avviamento	Start relay	
52b	*	*	Protettore	Protector	
52c	*	*	Condensatore di avviamento	Start capacitor	
53	518708401	087122	Fissaggio compressore	Rubber compressor	
54	830R06600	093431	Condensatore 5R D4, 76	Condenser	
54b	546R24200	093602	Copertura condensatore	Condenser cover	
55	511708800	089697	Ventola 230-31 (elco)	Ventola 230-31	
56	546709500	089755	Protezione ventola	Fan protection	
57	515R12700	093259	Serpentina evap. acqua di conden.	Evaporation water pipe	
58	543R09300	093260	Fissaggio serpentina	Stopper pipe	
59	0682R14200	096995	Ventilatore condensatore ELCO VNT 11-20	Condenser ventilator ELCO VNT 11-20	a,b,c,d,e,f,g, h,i,l,m,n,o,p
59	0682R12700	096482	Ventilatore condensatore(NIQ3212)	Condenser ventilator (NIQ3212)	j,k,q,r,s,t,u,v
59a	635R37900	097055	Cablaggio ventilatore	Fan wiring	j,k,q,r,s,t,u,v from 38/2021
59b	504R15800	096660	Lamiera protezione ventola	Fan condenser protection	j,k,q,r,s,t,u,v from 38/2021
60	858R06700	*	Scambiatore 2m TN R290	Heat exchanger R290	
61	858R00100	099949	Filtro 15 gr	Dehidrator filter	
61	805769901	099629	Filtro 15 gr	Dehidrator filter	k,j,q,r,s,t,u,v
62	A02021800	0A8171	Valvola per compressore	Compressor valve (charge or disch.)	
63	830R10600	094576	Evaporatore 3R 8T	Evaporator 3R 8T	a,b,c,d,e,f,g,h
63	830R04102	093430	Evaporatore 4R 8T	Evaporator 4R 8T	i,l,m,n,o,p, k,j,q,r,s,t,u,v
64	546R19201	093469	Vaschetta evaporatore	Evaporator tray	
65	682R05300	093334	Ventilatore evaporatore fime	Evaporator fan (Fime)	a,b,c,d,e,f,g,h
65	0682R12700	096482	Ventilatore evaporatore (NIQ3212)	Evaporator ventilator (NIQ3212)	i,j,k,l,m,n, o,p,q,r,s,t up to 15/2022 TB VTX2022_04
65	0682R14200	096995	Ventilatore evaporatore ELCO VNT 11-20	Evaporator ventilator ELCO VNT 11-20	i,j,k,l,m,n, o,p,q,r,s,t,u,v from 16/2022 TB VTX2022_04
65a	511708800	089697	Ventola 230-31 ebm	Fan 230-31 ebm	a,b,c,d,e,f,g,h
65a	511R01000	093365	Ventola 230-34 ebm	Fan 230-34 ebm	i,l,m,n,o,p, k,j,q,r,s,t,u,v
65b	635R37900	097055	Cablaggio ventilatore	Fan wiring	i,j,k,l,m,n, o,p,q,r,s,t from 38/2021 up to 15/2022 TB VTX2022_04
66	546709500	089755	Griglia ventilatore	Motor fan support	
67	646R06700	092173	Sonda cella	Cavity probe	
70a	501R40700	093509	Deviatore aria	Air conveyor	
72	501R44102	094429	Convogliatore evap. pala 230	Evaporator convoyer	a,b,c,d,e,f,g,h
72	502R57900	094428	Convogliatore evap. pala 230	Evaporator convoyer	i,l,m,n,o,p, k,j,q,r,s,t,u,v
73	639R09900	093528	Morsettiera	Clamp	Up to 2022/41
73	855R0AC00		Morsettiera	Clamp	From 2022/42
74	835R47601	095201	Assieme Calotta	Evaporator cover	
*	0881R32401	095200	Modulo Calotta TN	Evaporator cover Module TN	
75	546R26501	094425	Coperchio impianto elettrico	Wiring cover	
76	546R26701	093976	Scatola impianto elettrico	Wiring box	

BT - Gab Mass

Pos	Fact .Code	SPC	Descrizione	Description	Ref. - Note
77	546R19702	093263	Tamponcino per tubi	Pipe cover insulation	
79	694R00502	096636	Filtro antidisturbo	Electrical filter	
88	635R32300	095750	Cavo di alimentazione SCHUKO	SCHUKO supply cable	
89	0501R49702	094617	Rivestimento anteriore superiore AISI 304	Upper front covering AISI 304	b,d,f,h,k,l,n,p,q, s,u,v
89	0501R49802	095570	Rivestimento anteriore superiore AISI 430	Upper front covering AISI 430	a,c,e,g,i,j,m,o,r,t
90	546R26800	094451	Basamento gruppo	Basement	
99	880R60908	*	Cruscotto con termor. PV A304	Panel with termoregulator A304 GL	b,d,f,h,l,n,p
99	880R61008	*	Cruscotto con termor. PV A430	Panel with termoregulator A430 GL	a,c,e,g,i,m,o
99	883R79900		Cruscotto con termor. PV LED A304	Panel with termoregulator A304 GL LED	k,q,s,u
99	883R80400		Cruscotto con termor. PV LED A430	Panel with termoregulator A430 GL LED	j,r,t
99	883R84601	*	Crusc. con termor. pv led A304 marine	Panel with termoregulator A304 GL led marine	v
100	509R13004	095827	Cruscotto A304	Panel 304 AISI	b,d,f,h,l,n,p
100	509R13104	094436	Cruscotto A430	Panel 430 AISI	a,c,e,g,i,m,o
100	509R25200	096189	Cruscotto A304 LED	Panel 304 AISI LED	k,q,s Up to 2021/37
100	509R25300	096190	Cruscotto A430 LED	Panel 430 AISI LED	j,r,t Up to 2021/37
100	509R25201	097278	Cruscotto A304	Panel 304 AISI	k,q,s,u From 2021/38
100	509R25301		Cruscotto A430	Panel 430 AISI	j,r,t From 2021/38
100	509R26700		Cruscotto A304 IJF	Panel A304 IJF	v
101	832R10100	093609	Cerniera per cruscotto destra	Right hinge for panel	
102	832R10200	093610	Cerniera per cruscotto sinistra	Left hinge for panel	
103	833R20900	093345	Serratura	Latch	
104	640712100	087485	Micro porta	Door switch	
105	646R11000	093329	Termoregolatore ir33 gab/mass PV	Thermoregulator Gab/Mass GL	Up to 2022/41 Order KIT 097586 See TB VTX2022_08
105	855R18400	097579	Termoregolatore Carel IJF	Thermoregulator Carel IJF	From 2022/42
106	501R37403	094389	Protezione	Protection led-lamp	Up to 2021/43
106	504R35000	097245	Protezione	Protection led-lamp	From 2021/44 Up to 2022/41
106	504R39300	097576	Protezione	Protection led-lamp	From 2022/42
107	501R37502	093354	Staffa fiss. protez.termoregolatore	Bracket support	Up to 2022/17
107a	546R43401	097284	Supporto impianto elettrico	Electrical wiring support	From 2022/18
108	140088006	0L0113	Guarnizione	Guarnizione	
109	755R03901	093268	Membrana adesiva	Stiker	g,h
109	598R81500	095022	Membrana Zanussi	Zanussi membrane	For Zanussi products Up to 2021/37
109	598R81601	095023	Membrana Elux Prof	Elux Prof membrane	From 7391 for Elux Prof and To Brand products Up to 2021/37
109	598R81701	095024	Membrana neutra	Neutral membrane	For Alpen prod.
109	598R98301	096577	Membrana Elux Prof	Elux Prof membrane	For Elux Prof products from 2021/38
109	598R98601	097058	Membrana Zanussi	Zanussi membrane	For Zanussi products from 2021/38

Pos	Fact .Code	SPC	Descrizione	Description	Ref. - Note
110	546R12100	092353	Protezione micro	Door switch protection	
112	639R10400	093391	Morsetto	Clamp	
114	546R52100	097592	Filtro cruscotto	Control panel filter	v
117	639R06800	*	Connettore dritto 3 vie	Connector 3 ways right	
117	639R06900	*	Connettore dritto 7 vie	Connector 7 ways right	
117	*	099740	Connettore 90° 7 vie	Connector 7 ways 90°	
117	*	099741	Connettore 90° 5 vie	Connector 5 ways 90°	
117	*	088998	Connettore 90° 3 vie	Connector 3 ways 90°	
117	*	099743	Connettore 90° 3 vie piccolo	Connector 3 ways 90° small	
117	*	099742	Connettore 90° 2 vie	Connector 2 ways 90°	
117	*	091682	Connettore 90° 4 vie	Connector 4 ways 90°	
117	*	091684	Connettore 90° 5 vie	Connector 5 ways 90°	
117	639R04V00	097578	Connettore femmina 3 vie	Connector 3 ways female	From 2022/42
118	624R01400	093270	Alimentatore PV	Light power GL	
118	648R11300	096179	Alimentatore PV LED	Light power GL LED	j,k,q,r,s,t up to 2021/37
118	648R11700	097052	Alimentatore PV LED	Light power GL LED	j,k,q,r,s,t,u from 2021/38